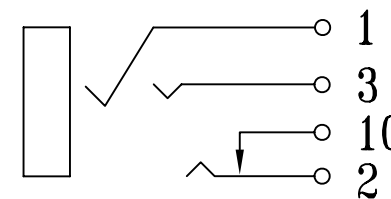
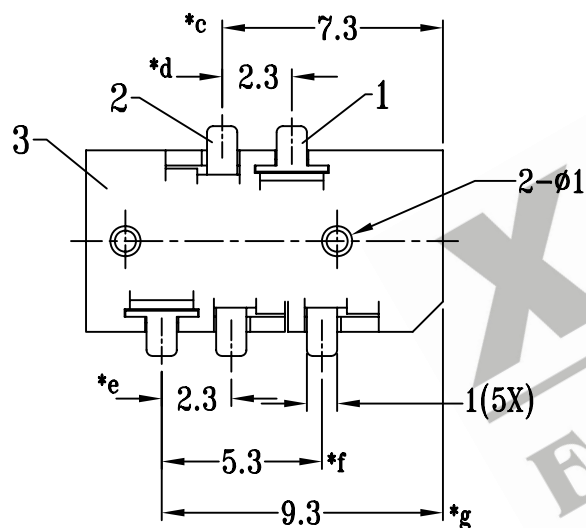
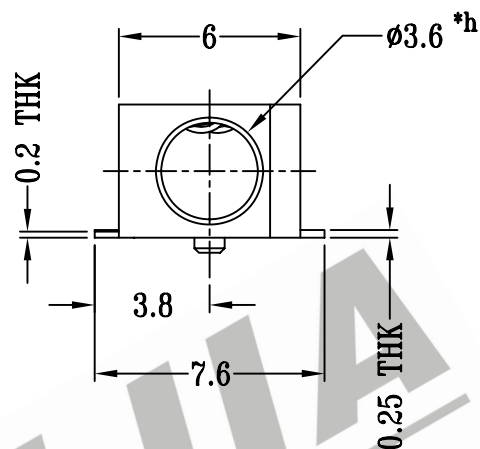
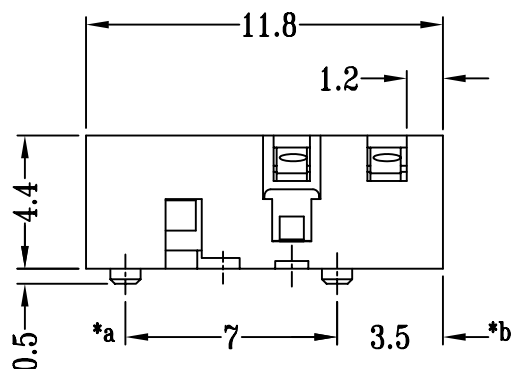
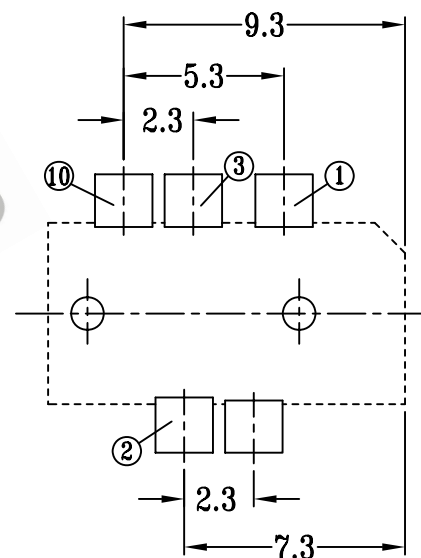


CAD FILE:



SCHEMATIC



P.C.B LAYOUT

注:带"\*"表示关键尺寸(8个)

7					TOLERANCE UNLESS SPECIFIED	SHENZHEN XIEJIA ELECTRONICS CO.,LTD.			
6					WITHIN: 1.5±0.1mm				
5					OVER: 1.5±0.2mm	ISSUE	DATE	DESCRIPTIONS OF REVISION	APPD.
4					TITLE : PHONE JACK	UNIT : mm	DRWG NO.: XJ-DR-ST331-00		
3	CASE	PA46	1	BLACK	MODEL: ST-331	SCALE: 4:1	DWN.	ZHOUYU	2002-8-30
2	TERMINAL A	PBS	3	Ag PLATED OVER Ni PLATED			CHK'D	FANGYING	2002-8-30
1	TERMINAL B	PBS	2	Ag PLATED OVER Ni PLATED			APPD.	KANGXINAN	2002-8-30
NO.	PARTS	MATERIALS	Q'TY	FINISH	ALL MATERIALS MUST BE COMPLIANT TO ROHS				